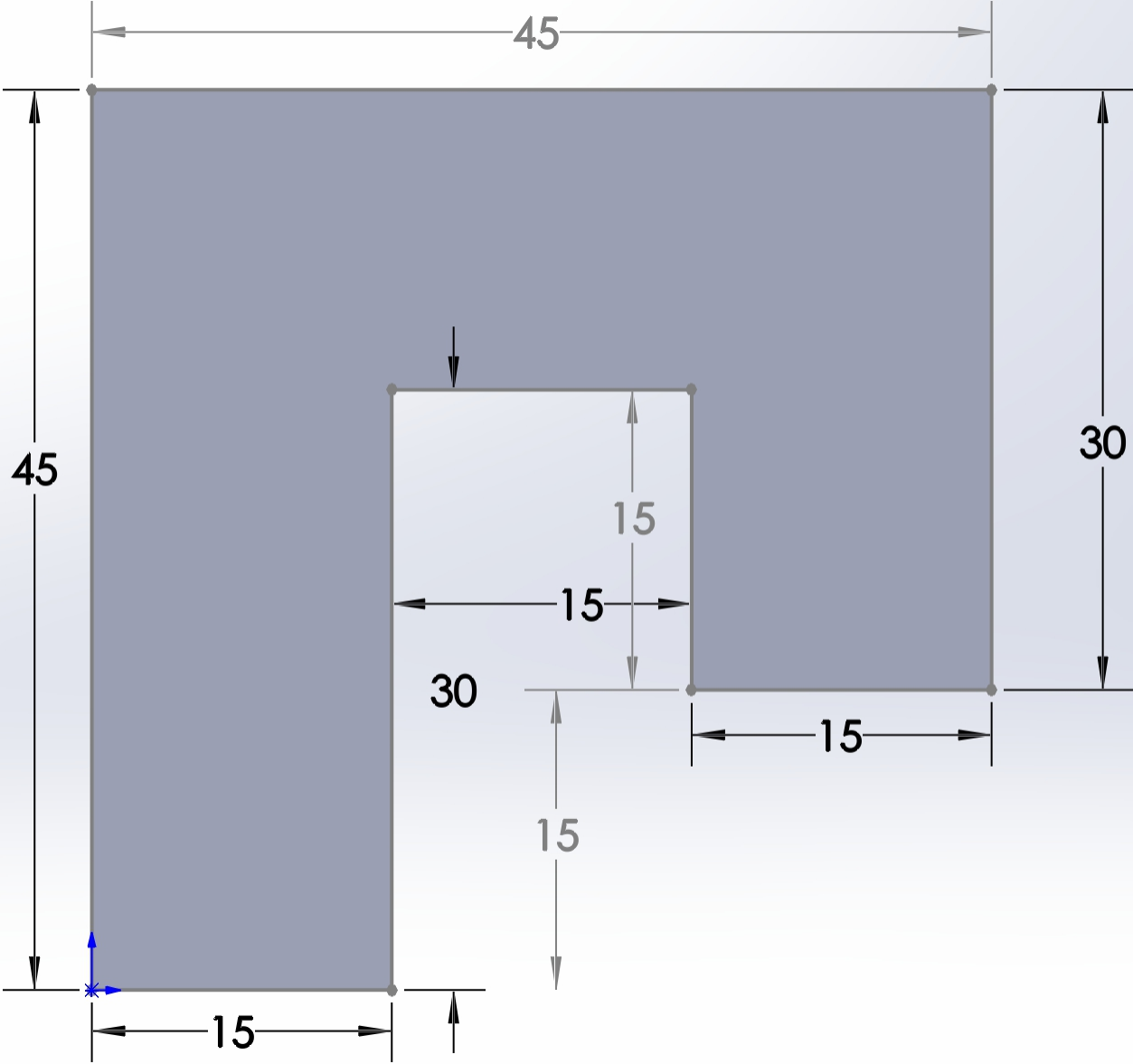
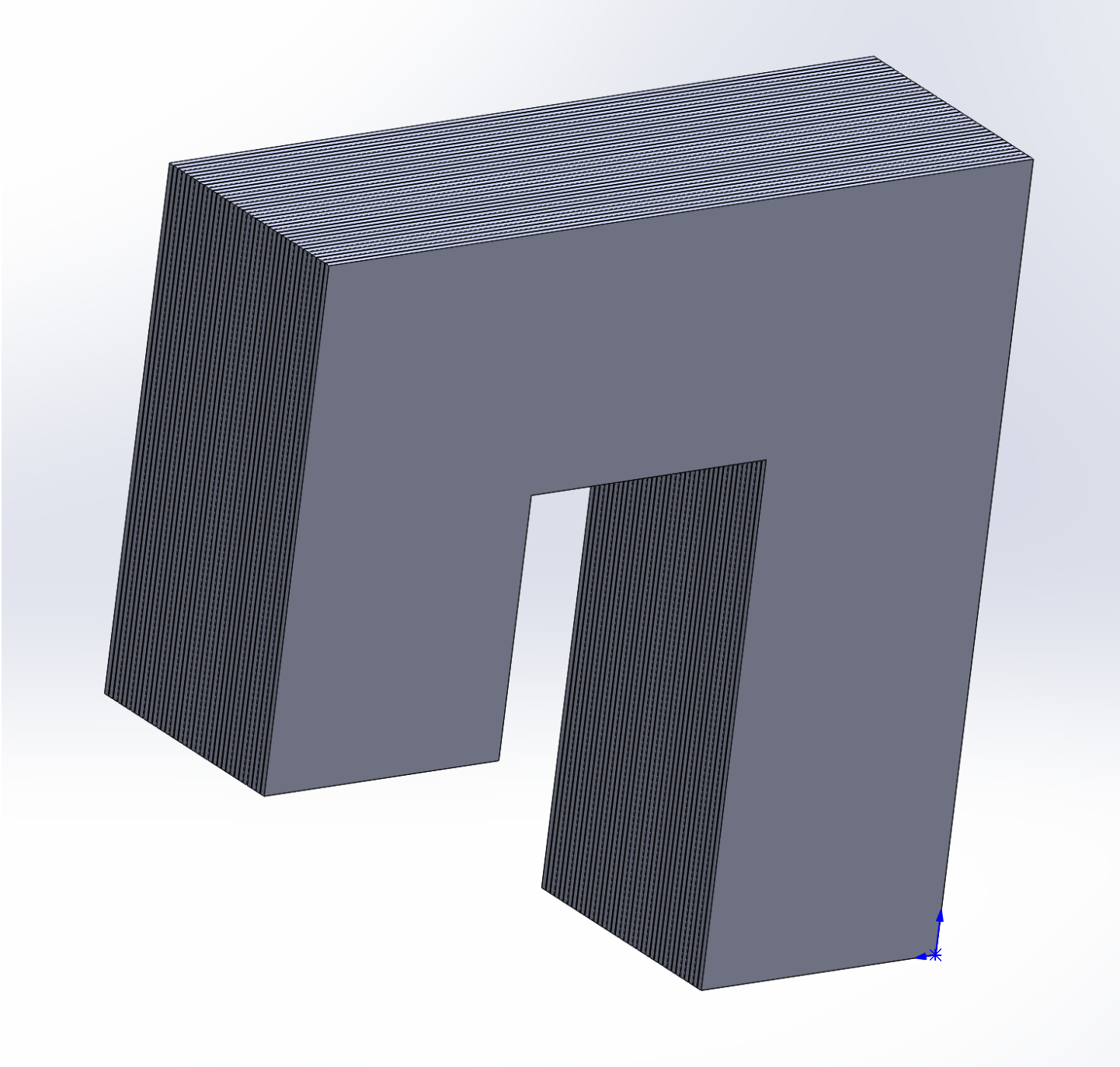


TFG Z04 Lamination and Cut Pattern (WAG) Structure

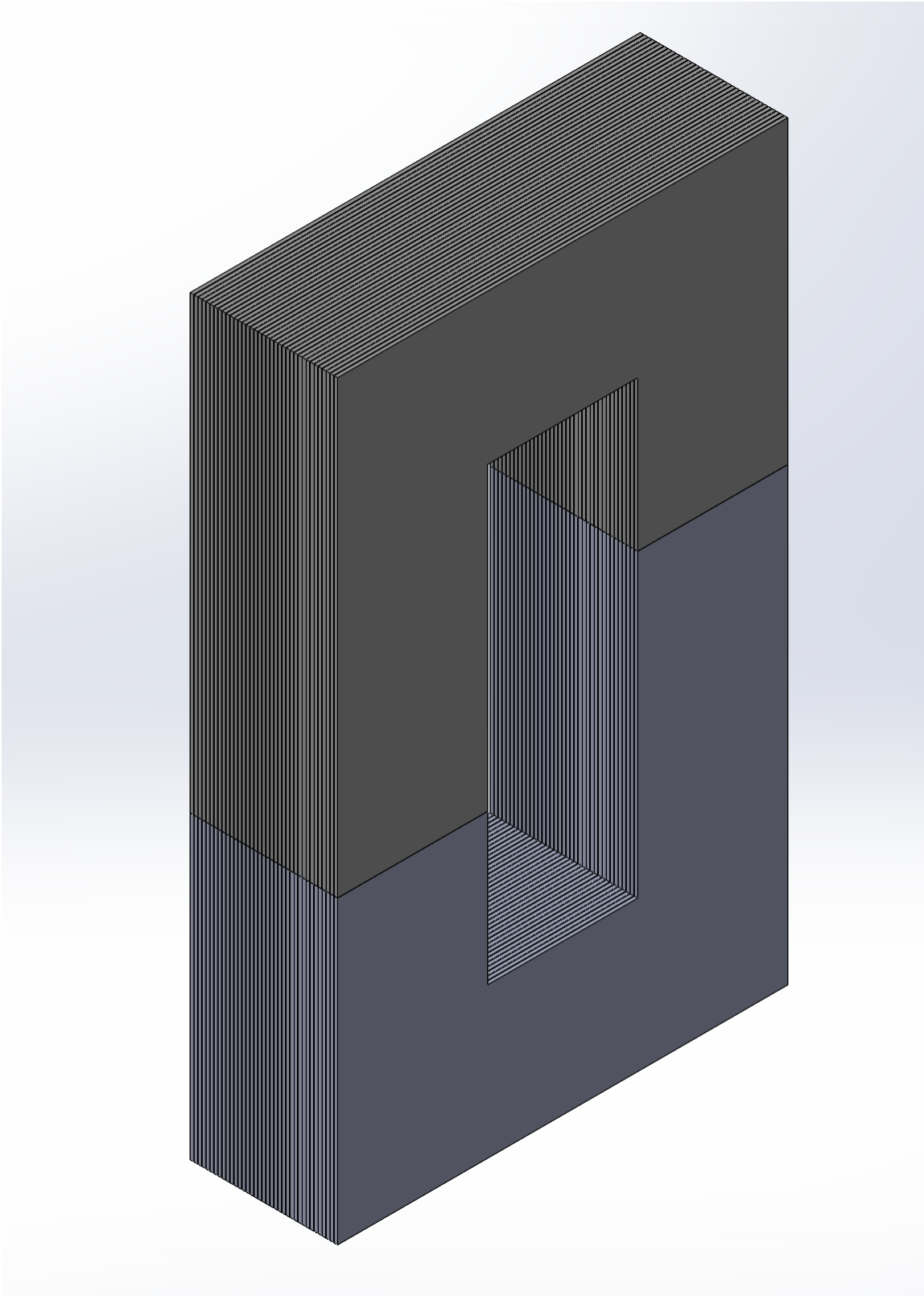
Single Lamination (for 1/2 Pole scheme):



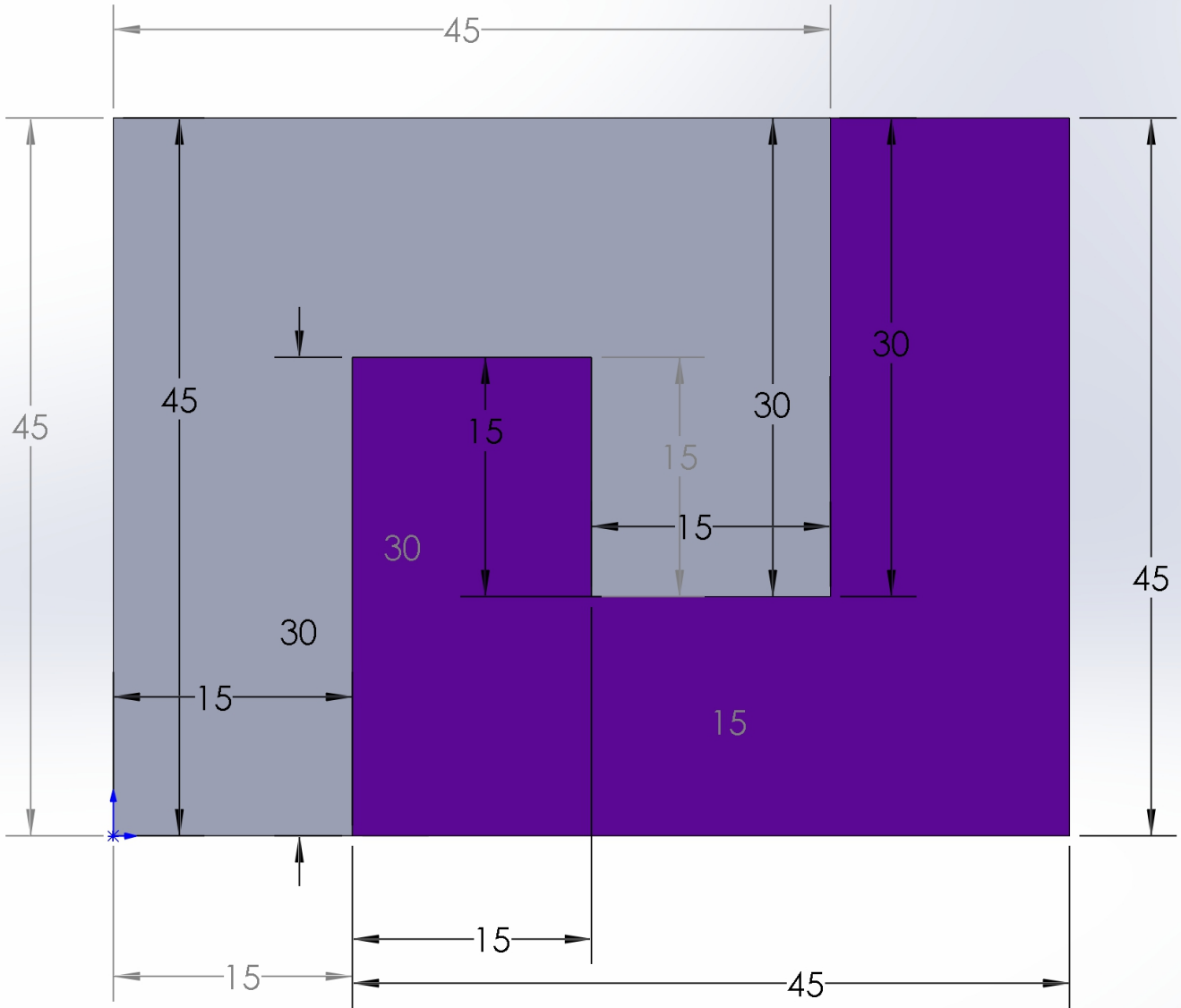
Laminations (1/2 Pole):



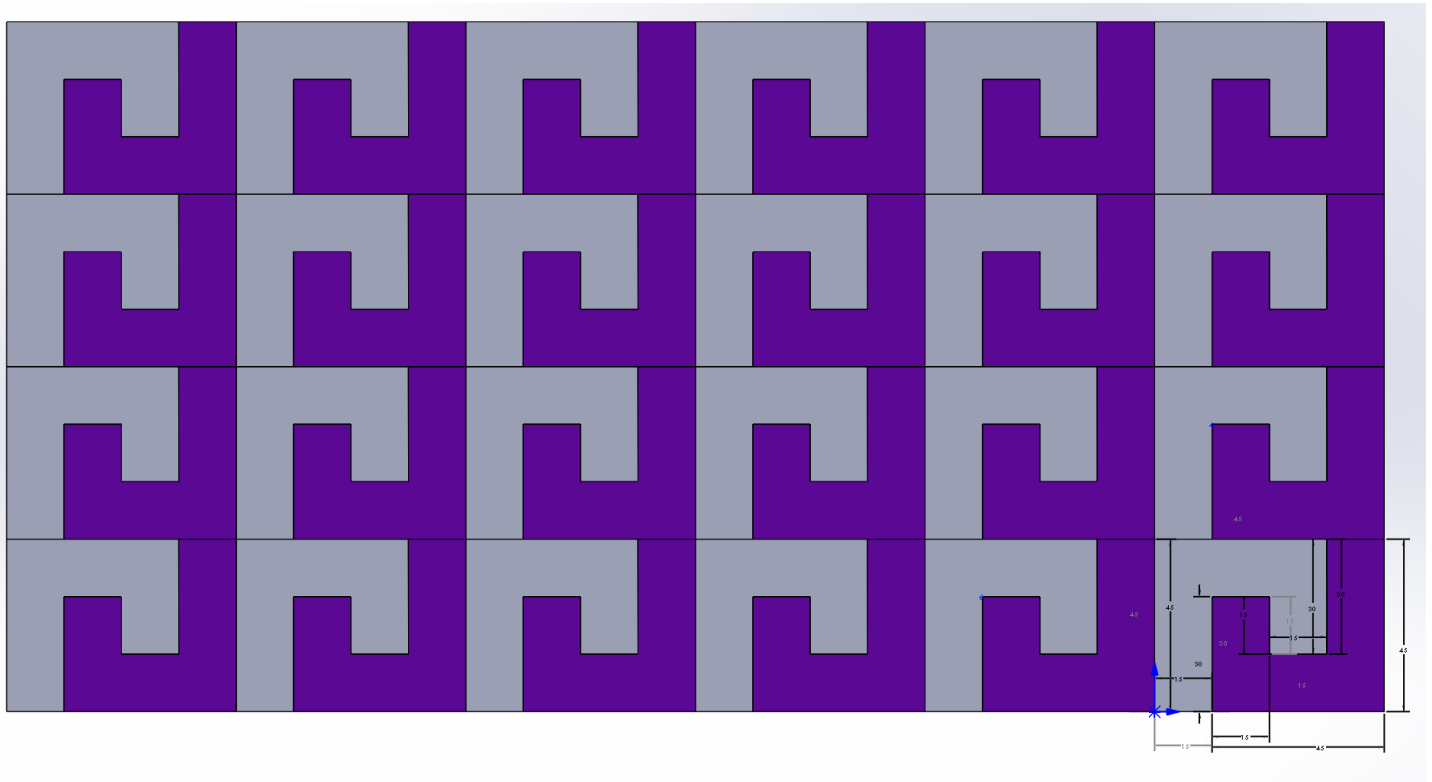
Pole (2 - 1/2 Pole Laminations butted together (no gap) to form 1 Pole [shades of gray for clarity]:



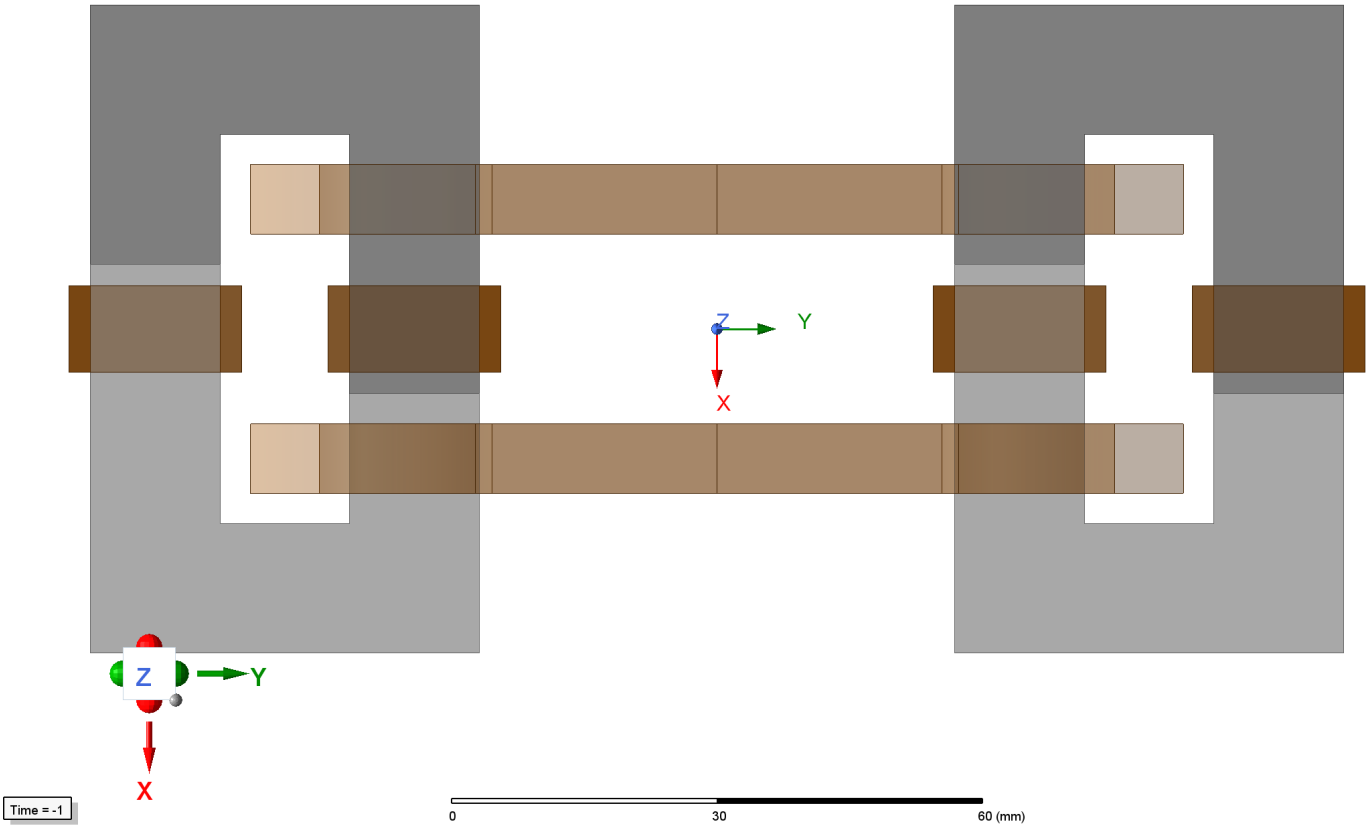
Lamination cut scheme to eliminate scrap [shades of blue for clarity]:



Lamination pattern for Laser/Waterjet cut [shades of blue for clarity]:

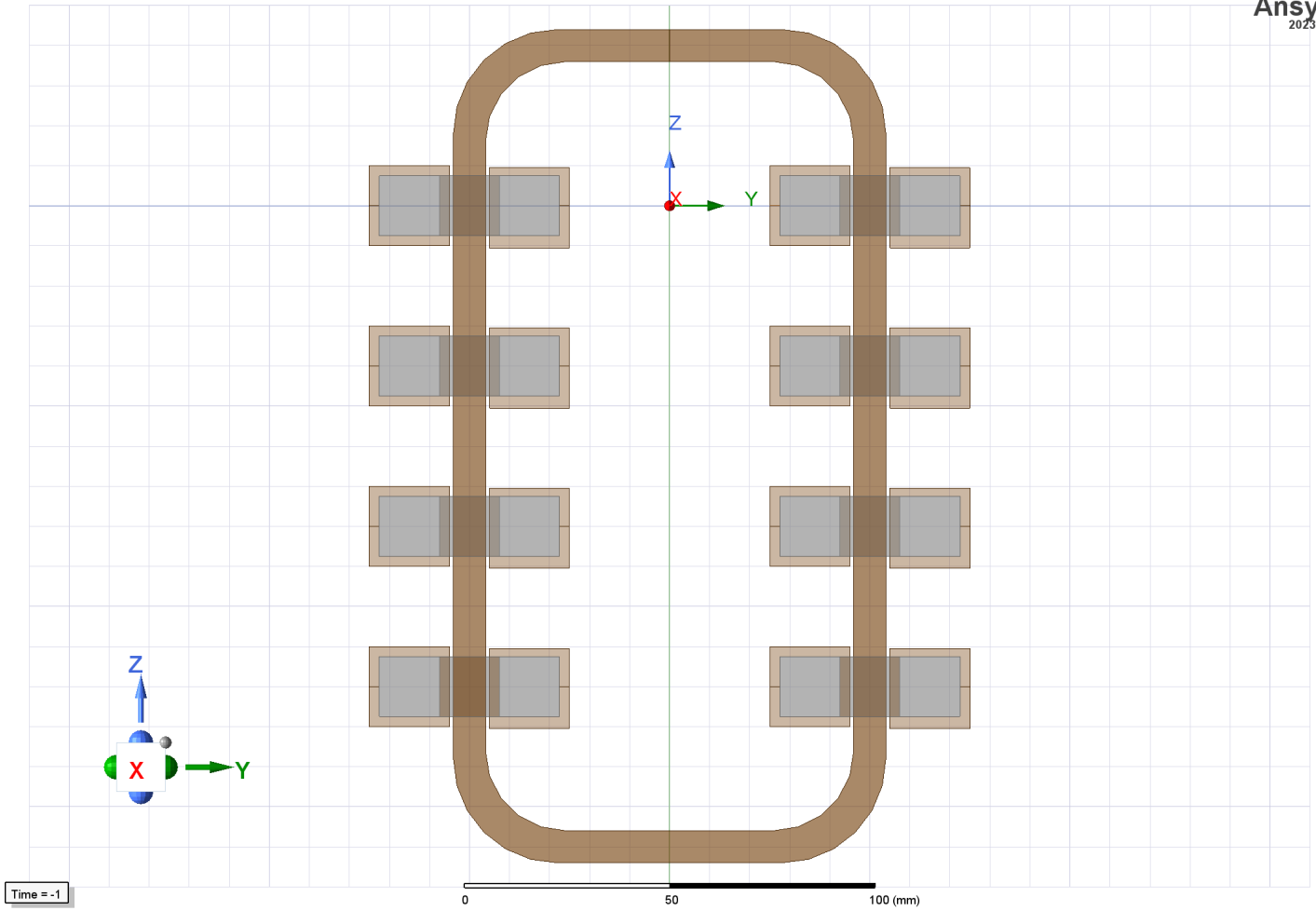


TFG_Z04 Structure End View (Z) [Copper = Loop Coils, Redish Copper = N/S Coils, Gray = Poles]:



TFG_Z04 Structure Top/Bottom View (Z) [Copper = Loop Coils, Lightish Copper = N/S Coils, Gray = Poles]:

Ansys
2023 R2



SL