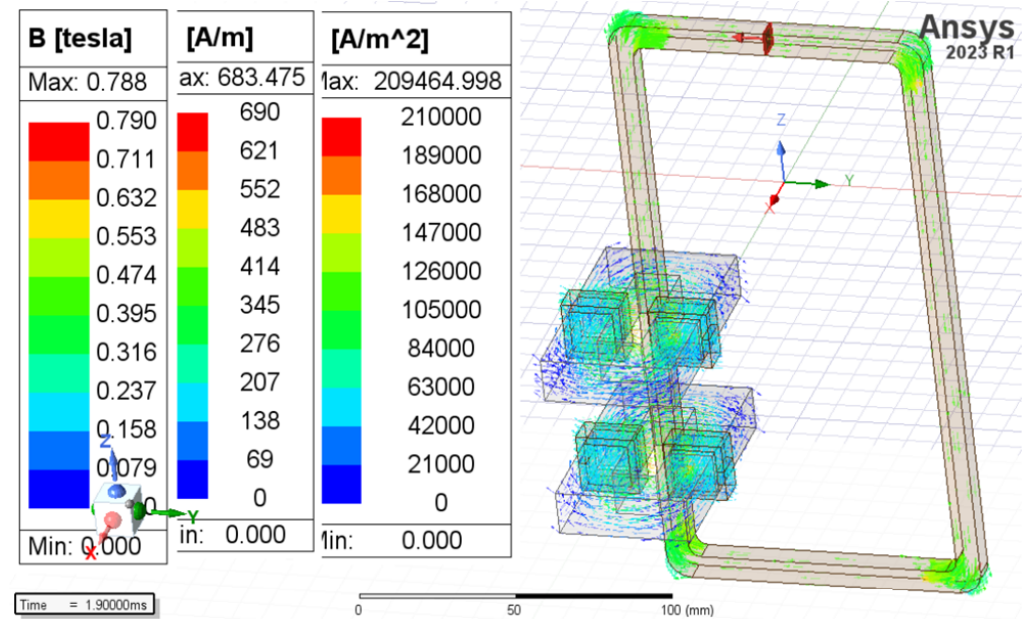


EE_TFG 8 Pole
(Electronic Electromagnet Transverse Flux Generator)

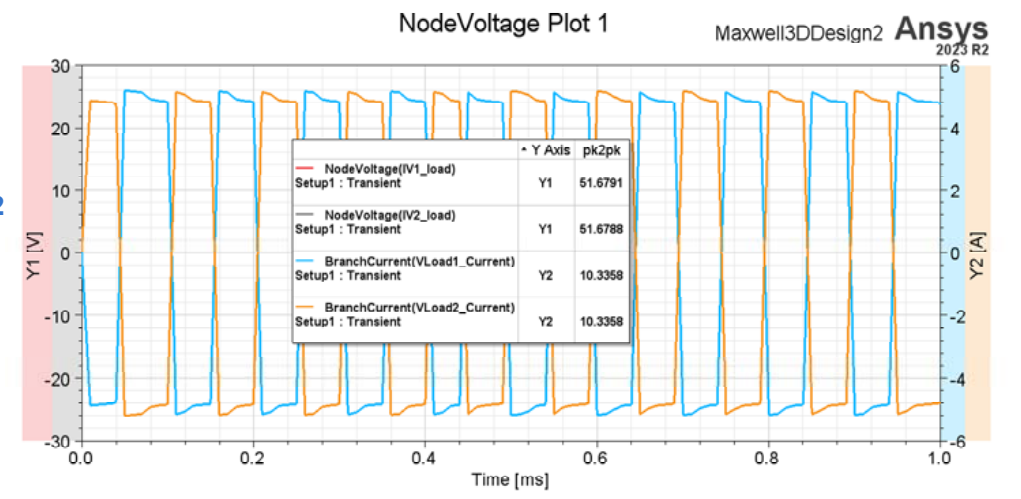
This configuration shows a MicroController driving a Full H-Bridge which excites the 8 Pole EE_TFG consisting of single parallel wired N S poles where each of the 8 pole pairs are wired in series.

EE_TFG FUNCTIONAL BLOCK/SCHEMATIC DIAGRAM
For Engineering Development ONLY V0.1 (26 Jan 24 Rev-A)



EE_TFG 2 Pole example analysis
(Electronic Electromagnet Transverse Flux Generator)

8 of 8 POLES:
Active: N1/S1 N2/S2 N3/S3 N4/S4 N5/S5 N6/S6 N7/S7 N8/S8- Short: 0
PW = 0.05 Pp = 0.1; Coil turns = 100, Loop = 1; ; Drive = -50mA/+50mA (100mA)
{ 51.6Vpp X 10.34App = 533.5 W X 2 Loops = 1,067 KW }



EE_TFG 8 Pole example with 2 OUTPUT Loop coils
(Electronic Electromagnet Transverse Flux Generator)